

ACK4 Window Actuator

The ACK4 is one of the most popular window openers, manufactured in Italy and used for both commercial and domestic purposes.

- Powered from a 3 core flex 2 live cables and 1 Neutral Cable

The **black** cable is live to open, the **brown** is live to close. The **blue** or **grey** is neutral which should be connected to your mains supply.

- Frame pins are screwed into the end of the chain to connect it to the vent bracket.

Choose the correct size pin to ensure the chain is fully retracted into the actuator body when the window is closed. This is to ensure the actuator hits its current limiting switch.

- Easy stroke adjustment from 100 - 400mm by turning the dial on the body of the motor.

- IP 55 rated, for protection from moisture and dust.

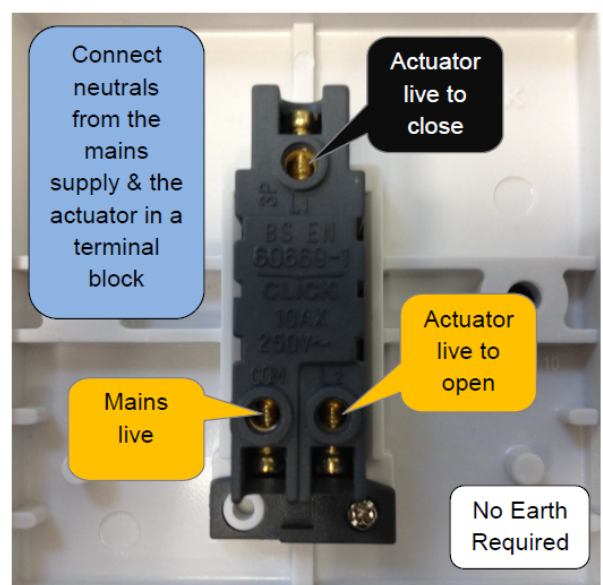


Rocker Switch Set

The simplest control option is by using a retractive / momentary switch, you can operate single vents or banks of vents depending on the current (amps) of the motors you have fitted.



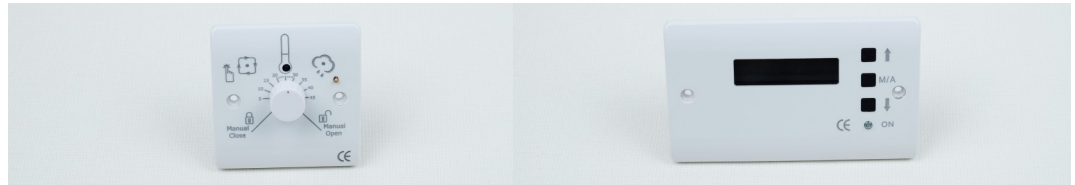
- All of the switches default to the centre off position and can be used to partially open the actuators to any distance up to the maximum actuator opening distance.
- The switch can be plain or engraved with Ventilation Open / Close.
- Switches are rated to 10 amps, so you can run approximately 30 actuators from 1 switch if required.



Temperature Control Panels

These panels are a popular option for conservatory roof windows, flat roof vents, roof domes and skylight windows where there is the risk of rain getting in if the windows aren't closed.

The panels will automatically open and close your windows based on a set temperature and importantly close the vents if it rains to prevent damage.



	MB06	MB08
Temperature Sensor	In built temperature sensor.	Included, will need wiring in.
Automatic Temperature Control	<i>The vents will fully open when the temperature is above that set on the dial, and fully close when it falls below this temperature.</i>	<i>Will divide the opening time by 4 to open and close vents in 4 stages to ensure room remains at desired temperature.</i>
Temperature Sensitivity	+/- 2 degrees	The MB08 will trigger on your desired temperature.
Temperature Calibration	No	Yes - through engineers mode
Rain Sensor	Included, will need wiring in. <i>Only works in auto mode, if you open the window manually it will not close on rain detection.</i>	Included, will need wiring in. <i>Can be set to close the vents in both auto and manual mode.</i>
Wind Sensor	No	Available, will need wiring in.
Light Sensor	No	No
Switch	Yes	Yes
Switch Use	<i>Fully anti clockwise manually closes the vent & they will not open.</i> <i>Fully clockwise will manually override the vents open fully & they will remain open regardless of rain detection.</i>	<i>Switch the MB08 into manual mode using the M/A button and use the ↑/↓ buttons to open or close the vents.</i> <i>The rain sensor will override manually opening as long as you do not set it otherwise.</i>
Remote	In built remote receiver - will need to buy & pair a remote	Will need to purchase a remote & remote receiver.
Moisture Protection	None	No - IP55 Version Available
Voltage Options	230V	230V
Amp Rating	10A	10A

Installing an ACK4 with a MB06 Control Panel

Notes:

Install the rain sensor prior to boarding out/ plastering the walls.

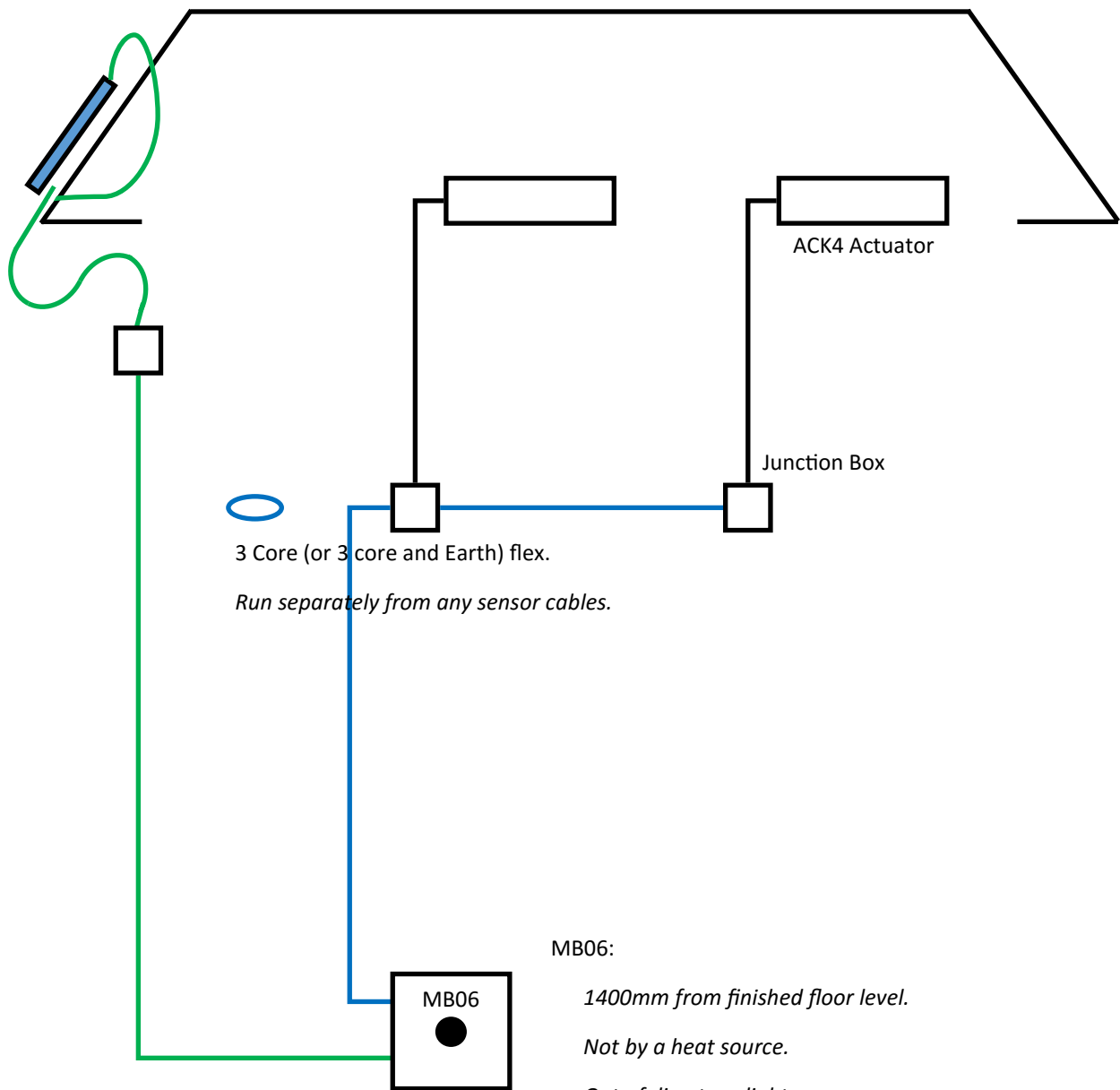
We recommend that you do not extend the sensor cable, as this can change the resistance, however if you have to extend the best way to do this would be by soldering and heat shrinking each wire separately.

Rain Sensor:

The wire coming out of the top.

On a pitch.

Using a drip loop to avoid water running down the cable.



MB06:

1400mm from finished floor level.

Not by a heat source.

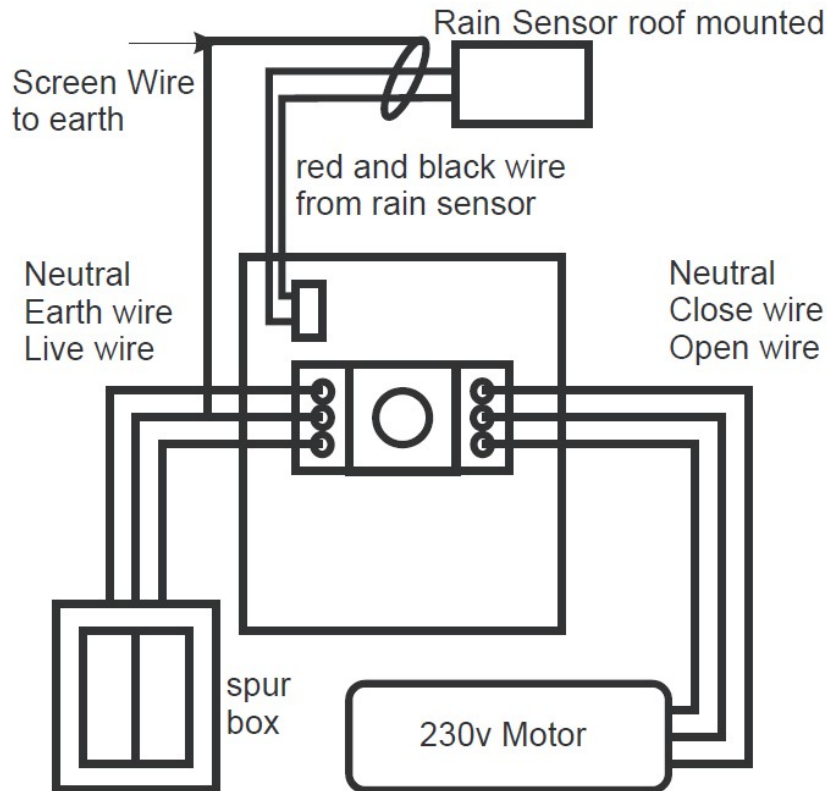
Out of direct sunlight.

Not near the corner of the room.

MB06 Control Panel



Wiring diagram:



Terminals are all clearly labelled on the PCB.

Basic Operation Functions

When the knob is positioned in the temperature range your vents will automatically open when the temperature is exceeded.

The rain sensor will override the vents and close them in the event of rain.

Manual Close - Turn the knob fully left to manually close.

Manual Open - Turn the knob fully right to manually open.

Note - Rain sensor will not function in manual open mode

Installing an ACK4 with a MB08 Control Panel

Notes:

Install the rain and temperature sensor prior to boarding out/ plastering the walls.

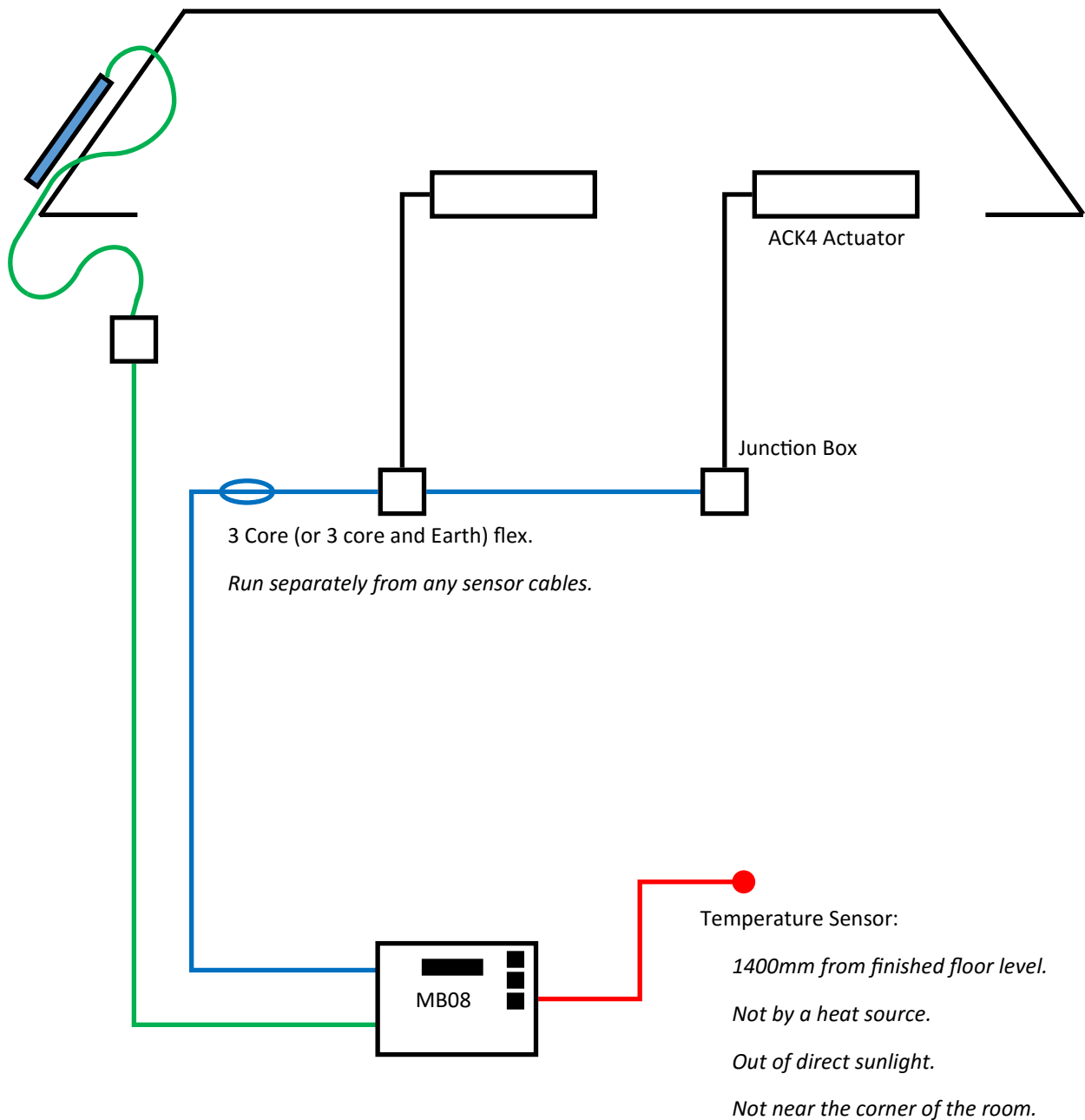
We recommend that you do not extend the sensor cables, as this can change the resistance, however if you have to extend the best way to do this would be by soldering and heat shrinking each wire separately.

Rain Sensor:

The wire coming out of the top.

On a pitch.

Using a drip loop to avoid water running down the cable.



MB08 Control Panel

Control Panel Set Up

Wire from a fused spur to the control panel, you can either surface mount in a plastic back box or recess into the wall.



Initial Stages

1. Power up the unit and press the centre button M/A to select manual control.
2. Press the top button to open the vent to the end of its travel & then press the bottom button to fully close the vent.
3. Depending on the window opener you have installed you will need to time the opening time to allow you to set the proportional opening (ACK4 13 Seconds).

Engineers Menu Settings

4. Turn off at the supply.
5. Hold the centre button down while turning the on the supply (This will show you the menu screen).
6. To change the actuator opening time setup use the top and bottom buttons - this should be set to the time it takes the opener to fully open.
7. When completed press the centre button and you will see rain sensitivity, leave this at 0.5 for normal use.
8. Press to bypass external relay box function.
9. You will then see temperature calibration of the temperature sensor. This can be adjusted up or down to match any other temperature devices in your room. If you don't have any other devices to calibrate to you don't need to change this.
10. Press again to finish setting up the unit.
11. Perform one more manual test to ensure the motor time is set correctly and the vent fully opens and fully closes.
12. You can now switch to automatic mode and set your required temperature and you should get proportional control of your vents.

Basic Operation Functions

Top Button - Open or Increase Temperature

Middle Button - Select Automatic or Manual Mode

Bottom Button - Close or Decrease Temperature

To open or close in manual press the centre button to open or bottom to close

Automatic press the centre button to change to auto, then use the top button to set room maximum room temperature