

BESPOKE GLAZING SOLUTIONS  
— FOR THE —  
WORLD'S FINEST HOMES



  
**REYNAERS**<sup>®</sup>  
— *at home* —

  
**GLOBAL DOOR**  
PROTECTING HOMES SINCE 2008

[WWW.GLOBALDOOR.CO.UK](http://WWW.GLOBALDOOR.CO.UK)  
TEL : 01642 309570

"I choose to specify products  
from companies who:

understand my requirements...

make it easy for me to find the information I need...

have a reliable, premium quality product range...

have excellent customer service...

have a professional and knowledgeable technical support team...

will look after my clients...

and care about customer  
satisfaction"



# Contents

04	Introduction
06	Reynaers at Home
08	Design statement
10	Technical support
12	Demonstrable quality
16	Windows and doors
18	Sliding patio doors
20	Bifold doors
22	Curtain walls
24	Complementary systems
26	Finishes
28	Credentials and accreditations
30	Fabricator dealerships
32	Environmental





Featuring Reynaers CF 77





# Introduction

Reynaers UK is a well established and very successful business that has grown steadily year after year. This success is no accident; it is the direct result of combining reliable, top quality products and an exemplary focus on customer service.

Through decades of experience of working with architects and contractors, we have a thorough understanding of your business needs.

We know, for example, that when you ask for a quotation, you want it quickly and it needs to be accurate in every detail, so you will not hesitate to show it to your clients. When you access our website, you need to be able to find the CAD drawings and technical information you are looking for quickly and easily.

At Reynaers at Home, we have a dedicated team of experienced professionals who are committed to delivering the very best levels of customer service to every architect, for every project, regardless of whether it is a single window or a house full of windows and doors.

Our aim is to ensure that once you have experienced working with Reynaers at Home, you never have reason to look elsewhere ever again.





Featuring Reynaers CS 68

# Reynaers at Home





For almost 50 years, Reynaers has been designing cutting-edge glazing solutions for some of the most iconic buildings in the world. Engineered without compromise, our range of aluminium glazing products is specified time and again by the world's leading architects and construction companies.

Reynaers at Home is the domestic division of this long-established and very successful global business. We are dedicated to providing the discerning British home-owner with the very best products, combining style and performance without compromise.





Featuring Reynaers Hi-Finity





# Design statement

There is a growing demand for homes that are flooded with natural daylight; homes that have large expanses of glass providing unobstructed views; homes with huge sliding doors that open up the back of the house and blur the divide between home and garden.

The slim frame profiles and great structural integrity of our windows and doors make it possible for us to offer industry-leading maximum sizes, keeping the number of transoms and mullions to a minimum and maximising the glass area.

These same benefits mean that aluminium is a very versatile frame material that is equally suited to both contemporary and traditional properties. A modern glass extension, for example, can both contrast and complement the style of a traditional property and we have windows that replicate the sightlines of old steel windows. For a more adventurous contemporary design, the versatility of our products and the support of our skilled technical team mean the glazing can become a feature of the property rather than just a functional necessity.





Featuring Reynaers CS 77





# Technical support

Our team of experienced technical experts is on hand to answer your technical questions and to provide whatever support you need to be able to complete your specification quickly and with the minimum of fuss.

As you would expect from an established and respected company, there is a comprehensive set of technical literature available for you to browse online and download. Whether you need CAD and BIM details, a short product summary sheet, case studies or photographs, you will find everything you need on our corporate website [www.reynaers.co.uk](http://www.reynaers.co.uk). Naturally there is a comprehensive set of CAD drawings available to download too.





Featuring Reynaers CP 155

# Demonstrable quality





Once you have specified Reynaers at Home products, of course you need to have confidence that your clients will be delighted with your recommendation.

Reynaers at Home can provide you with a consumer brochure that you can present to your clients. It is designed to convey the premium brand positioning and presents the product range and its benefits in a simple, non-technical way.

We can supply colour swatches too, helping your clients to choose from the hundreds of finishes that are available. What is more, we are working with our fabricator and installer partners to establish a nationwide network of showrooms, so your clients will be able to see the product quality for themselves if they so wish.





“Finding suppliers to match my exacting standards can be a problem - not so with Reynaers. I’m totally comfortable with the quality of their product range, and the fantastic customer service I get is a bonus.”



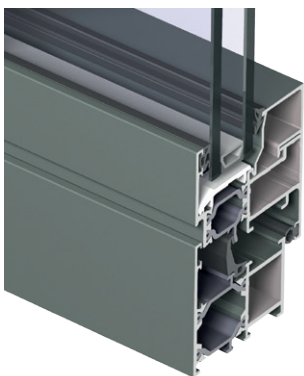




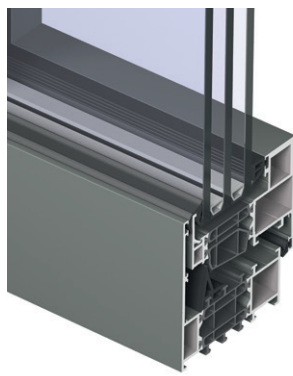




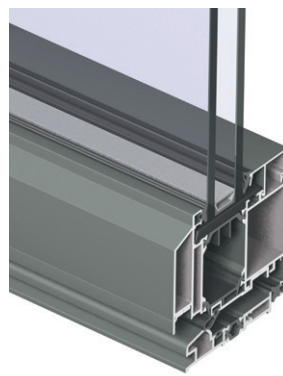
Featuring Reynaers CS 77, CP 155 and CW 50



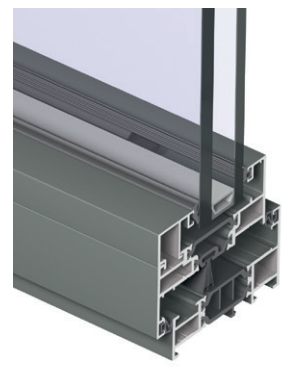
Eco system



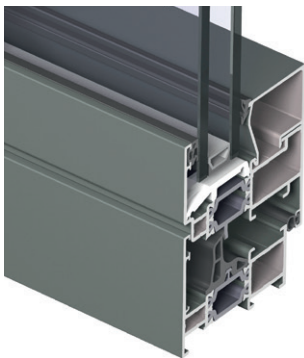
MasterLine



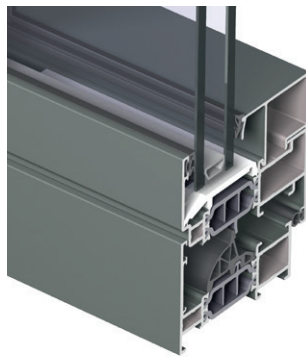
SL 38



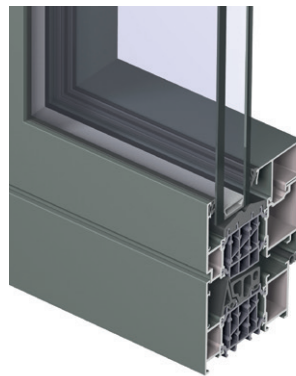
SL 68



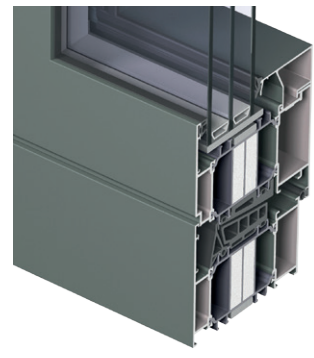
CS 68\*



CS 77\*



CS 86-HI



CS 104

\*High-insulation variants of these products are also available.





# Windows and doors

Our range of window and door systems is designed to ensure that there is a product for every requirement. We have products that carry the Secure by Design accreditation, products that meet the Passive House standard, products designed to withstand extreme wind loading, and products with exceptional acoustic performance.

Three different styles ('functional', 'renaissance' and 'softline') are available to ensure the windows and doors match the style of the building, and you can choose to have a hidden vent or slim-line profile, too.



Functional

Renaissance

Softline

Hidden vent

Slim-line

We can offer picture windows of an impressive size, and for an even more imposing façade, we can offer a comprehensive range of curtain wall options too.





Featuring Reynaers Hi-Finity



CP 130 / CP 130-LS

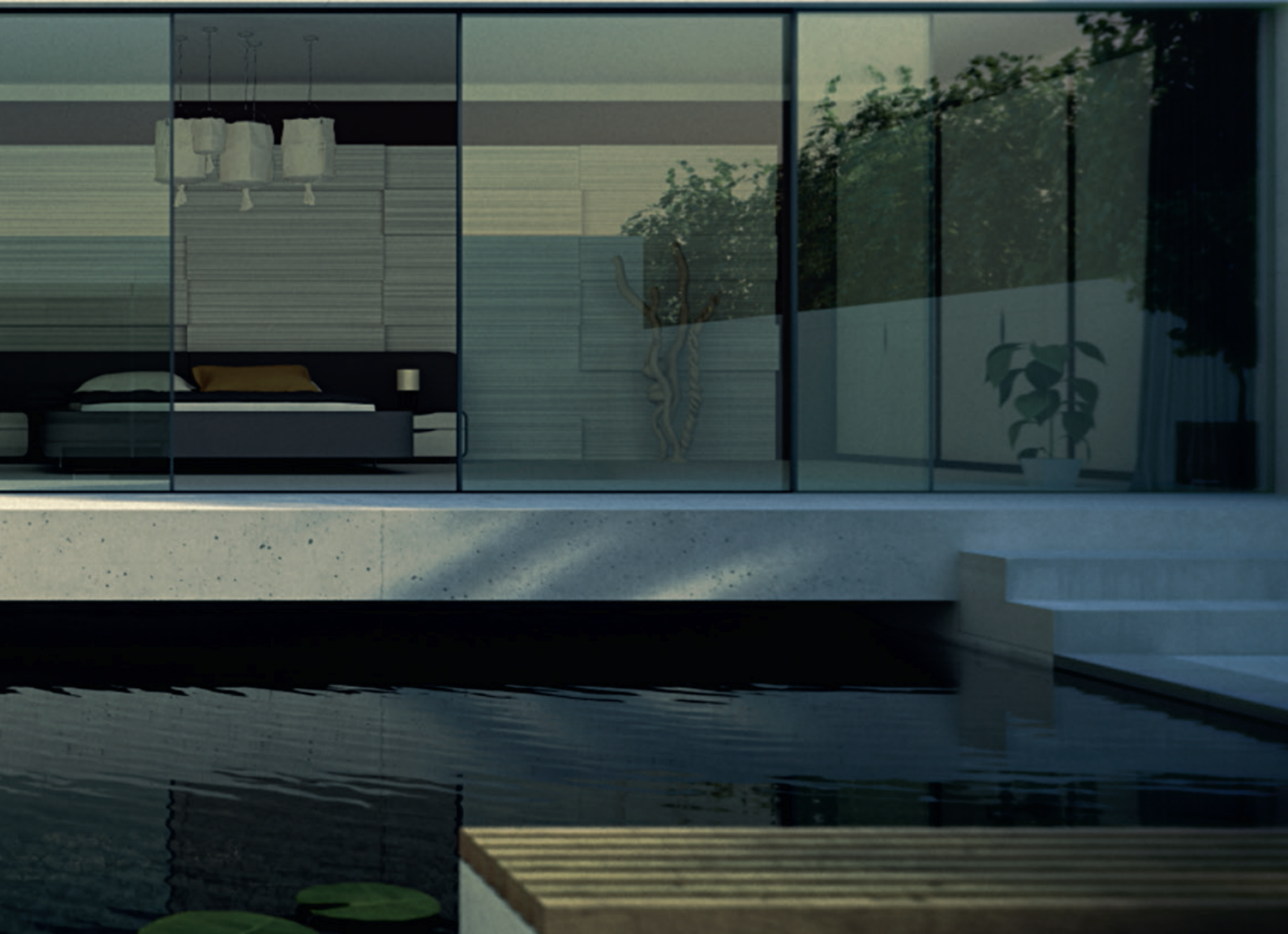


CP 155 / CP 155-LS



Hi-Finity





# Sliding patio doors

Reynaers at Home offers a range of sliding patio doors that can be specified to meet the exact requirements of your project. Choose between single, double or triple track designs; slide or lift-and-slide mechanisms; and manual or automatic operation.

For the ultimate in both form and function, look no further than Reynaers' Hi-Finity door. Designed so that the outer frame can be concealed in the brickwork, this super-slim-framed door makes the dream of wall-to-wall and floor-to-ceiling glass a reality.

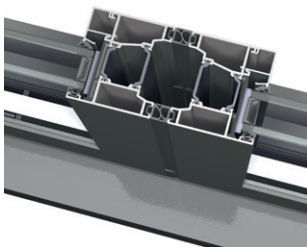
The open-corner feature is available on all our sliding doors, allowing two perpendicular doors to slide apart without the need for a fixed corner post. The resulting 'floating ceiling' effect makes the doors a real feature of the room.

Our range of doors offers industry-leading maximum sizes, excellent thermal and weather performance and security levels that meet or exceed the relevant European standards.

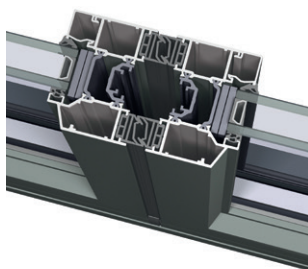




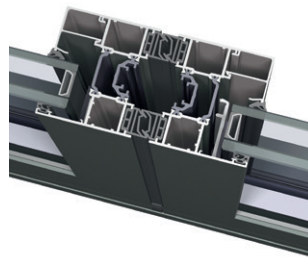
Featuring Reynaers CF 77



CF 68



CF 77-SL



CF 77



Flat Bottom



Low Threshold



Double Weather Seal



High Performance





# Bifold doors

Reynaers' bifold doors have been designed using only the best materials. When operating these doors it is easy to see what a difference this makes as the panels slide smoothly and effortlessly open and closed.

With a choice of four different thresholds from flat-bottom to high performance, you can specify the optimum balance between threshold height and weather rating depending on the location of the door.

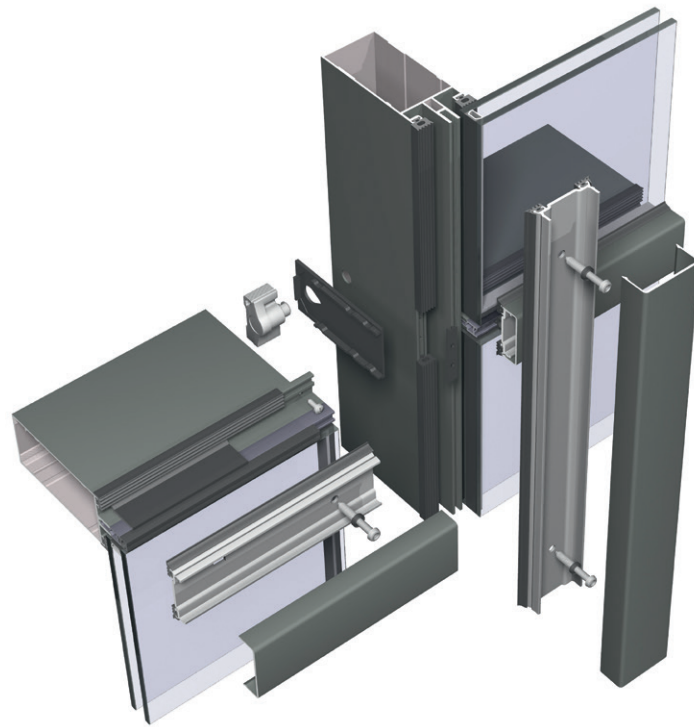
The industry-leading maximum sizes, excellent thermal and weather performance and high levels of security make these doors very easy to recommend.





Featuring Reynaers CW 50





CW 50

# Curtain walls

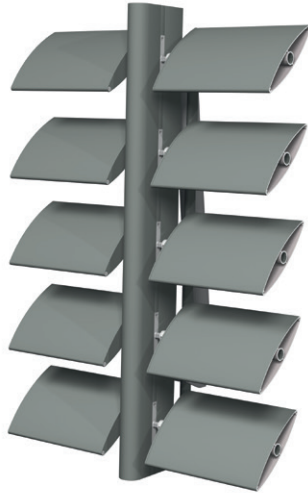
Our curtain walls have different styles of face caps from horizontal to vertical lining, to a more minimalistic look using structural glazing or clamping technologies. Reynaers also offers tailored solutions for those projects that require a specific architectural design.



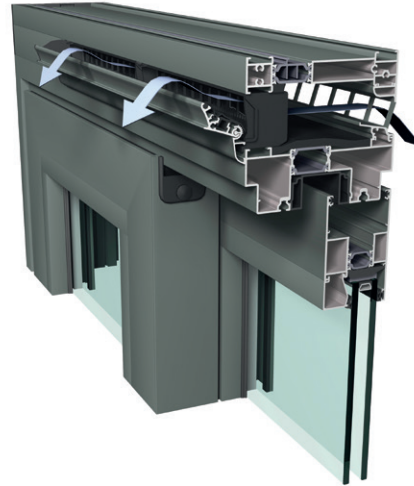


Featuring Reynaers CP 130





Brise soleil



Ventalis

# Complementary systems

There are a number of other complementary products in our range, which include the following:

- **Brise soleil** sun shading systems can comprise louvers made from aluminium or glass, and can even be combined with solar photovoltaic panels.
- **Ventalis** is a self-regulating ventilation system that can be incorporated into the top frame of our windows and doors. Manually adjusted to offer five levels of ventilation, the self-regulating system is designed to keep the airflow constant with changes in wind pressure outside. The ventilation units are both insect-repellent and rainproof and are cleverly insulated to minimise the risk of condensation.





Orchid



Shield



Horizon





# Handles and finishes

We have developed an exclusive range of handles. This suite of handles can be used across our range of windows, doors, sliding patio doors and bifold doors, giving consistency of colour and style in every room.

There are also literally hundreds of finishes to choose from: a huge range of RAL colours in a choice of gloss or matt finish, metallic colours, textured metallic Coatex finishes, wood-grain finishes and anodised options too. Of course, you can also have a different colour inside and out.





Featuring Reynaers CP 155

# Credentials and accreditations





Reynaers products have been specified in some of the most iconic buildings around the world. All our products are thoroughly tried and tested, earning Reynaers an enviable reputation of excellence among the UK's leading architectural practices and construction companies.

Reynaers at Home is proud to be part of a well established and professional global organisation. Our product range has been independently tested to meet and often exceed the requirements for a range of British and European standards. What is more, Reynaers is proud to have been awarded a number of more general accreditations including ISO 9001:2000, ISO 14001, ISO 16001, ISO 50001, Secured By Design, Achilles and BM TRADA (Q-Mark).







Featuring Reynaers CP 130

# Fabricator dealerships





Reynaers at Home products are available through a network of carefully selected fabricators and installers. All have demonstrated an exceptionally high level of customer service and understand the demands of supplying the discerning home owner at the premium end of the market.

Most of our fabricators and installers will have showrooms with Reynaers products, which will be available to you and your clients.





Featuring Reynaers CP 155





# Environmental

In the UK and globally, Reynaers has an unwavering commitment to our environmental responsibility.

Aluminium is a material that is 100% recyclable without loss of quality. Not only does this mean that we can supply aluminium windows and doors with a high recycled content with guaranteed quality, but it also means that these same products can themselves be recycled at the end of their lives.

Our products are also designed to offer industry-leading levels of thermal performance. Clever design and state-of-the-art thermal breaks help keep heat loss to a minimum, meaning more efficient glazing and lower energy bills for the home owner.

At Reynaers UK we recognise that our business activities impact on the environment in a number of different ways and we are committed to reducing these where possible. In order to achieve our commitment we have developed and implemented an Environmental Management System that meets the requirements of ISO 14001. This is subject to a regular independent review and audit to ensure that there is effective environmental management at our organisation.



“When I specify Reynaers, it’s one less thing I have to worry about. The product spec is always high and I’m always impressed by their know-how and technical expertise.”





At Reynaers at Home we constantly seek to develop and improve our products and service for our customers and therefore reserve the right to amend our product specification from time to time. The photographs in this brochure show Reynaers products which may occasionally differ in detail and appearance from those we currently sell.

©2018 No part of this brochure may be reproduced in any form without the written permission of Reynaers at Home.





Part of the Reynaers family

